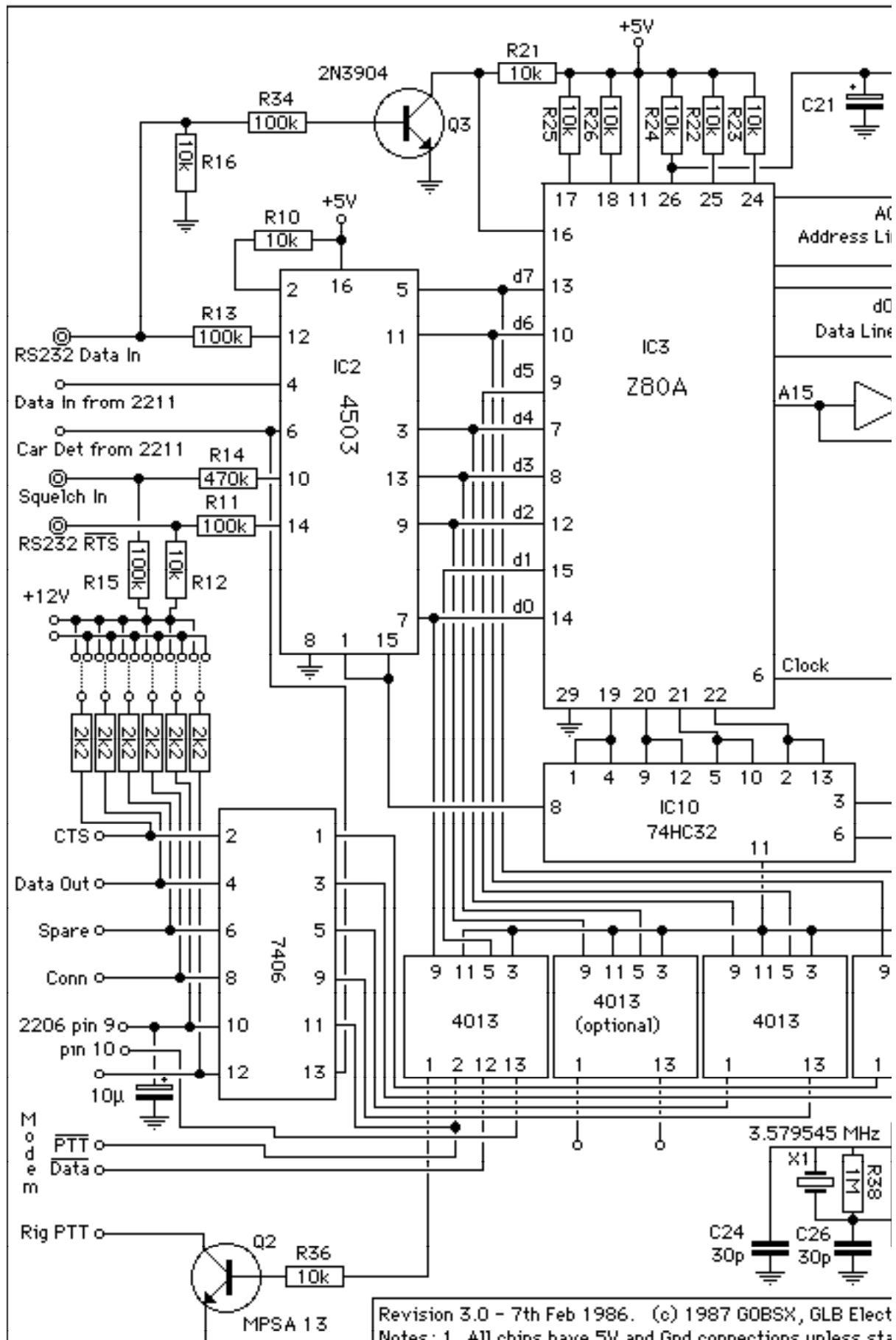
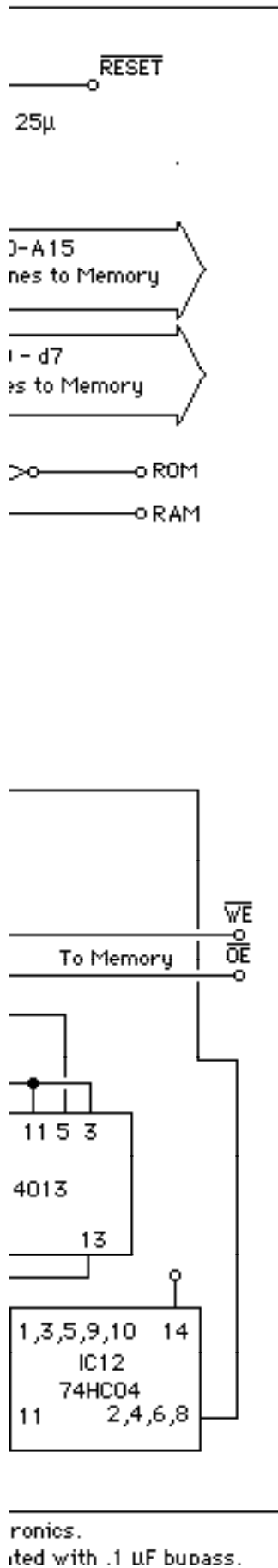


CPU and I/O Drivers







2. All 4013 chips have pins 6
